

# **Beck.**

## **The factory-set pressure switches.**



# Pressure switch 901

with factory-set pressure setting



## Application

Factory-set pressure switch monitoring overpressure, vacuum or differential pressure of liquid and gaseous . also aggressive . media

Pressure setting and switching differential are factory-set by the manufacturer.

## Temperature range

Ambient temperature from . 20°C to +85°C  
 Temperature of media up to 85° C or 130° C depending on material of pressure connection and diaphragm

## Diaphragm material

Depending on media NBR, Silicone, FKM (Viton®), EPDM  
 For 901.30 Silicone, others upon request

## Electrical rating

Standard version	max. 6 (1.5) A / 250 VAC
	max. 10 (2) A / 250VAC
	max. 2 A / 24VDC
Low-voltage version	max. 100 mA / 24 VAC
	max. 30 mA / 24VDC

## Electrical connection

Tab terminal 6.3 mm x 0.8 mm in accordance with DIN 46244

## Life

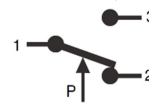
Mechanically more than 10<sup>6</sup> cycles

## Mounting position

Mounting in any position, to be specified for settings below 100 mbar

## Arrangement of contacts

for 901.1x, 901.30, 901.41, 901.51



only for 901.2x



## Damping

Restrictors alternatively with 0.3/0.5/0.8 mm diameter

## Protection

IP00 without protection cap  
 IP44 / IP54 / IP65 depending on the used protection cap

## Protection class

Protection class II is only met by using a protection cap from our accessories program.  
 The pressure switch without protection cap is provided for installation in equipment. The construction of the equipment and the type of installation determine the protection class.

## Conformity

EU Low Voltage Directive  
 EU RoHS Directive

## Warning

Read instructions before use. This regulating and control unit must be installed in compliance with the applicable regulations.

## Accessories

Various mounting brackets and protection caps with IP 44, IP44, IP54 and IP65

### Pressure connection

Type	Tube connection			Threaded connection			
	5.0 mm	6.5 mm	10.0 mm	M10x1	G1/8	G1/4	G1/2
901.1x	PA	PA, PPS	PA, PPS	PA, PVDF CuZn40, V <sub>2</sub> A	PA, PVDF CuZn40, V <sub>2</sub> A	PA, PVDF CuZn40, V <sub>2</sub> A	CuZn40
901.2x	PA	PA, PPS	PA, PPS	PA, PVDF CuZn40, V <sub>2</sub> A	PA, PVDF CuZn40, V <sub>2</sub> A	CuZn40, V <sub>2</sub> A	CuZn40
901.30		PA					
901.41		PA, PPS	PA, PPS	PA, PVDF CuZn40, V <sub>2</sub> A	PA, PVDF CuZn40, V <sub>2</sub> A	CuZn40, V <sub>2</sub> A	CuZn40
901.51				CuZn40, V <sub>2</sub> A	CuZn40, V <sub>2</sub> A	CuZn40, V <sub>2</sub> A	

PA = polyamide, PVDF = polyvinylidene fluoride, PPS = polyphenylsulfide, CuZn40 = brass, V<sub>2</sub>A = stainless steel

For temperature above 85° C metal or PPS pressure connection is required. Upon request pressure connections of other sizes, other plastics or brass nickel-plated are available.

Viton® is a registered trademark of DuPont Dow Elastomers.

### Overpressure range

Type	Factory-set trip pressure		Switching differential (Hysteresis)		Tolerance band of trip pressure	Maximum positive working pressure standard/extended	Maximum negative working pressure standard/extended
	between	and	lower end of range	upper end of range			
901.1x	5 mbar	200 mbar	2.5 mbar	50 mbar	± 10 %	0.5 / 4 bar	- / - 1 bar
	200 mbar	1,000 mbar	50 mbar	150 mbar	± 10 %	1 / 4 bar	- / - 1 bar
901.41	500 mbar	3,000 mbar	200 mbar	600 mbar	± 10 %	10 bar*	- 1 bar
901.51	1.0 bar	12 bar	0.2 bar	1.5 bar	± 10 %	25 bar	- 1 bar

\*For pressure connections made of plastic, the maximum permissible working pressure is 7 bar!

### Vacuum range

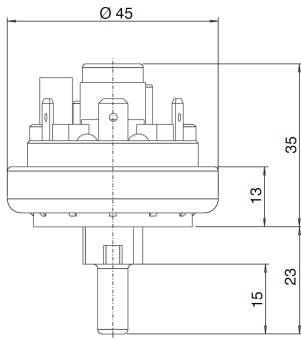
Type	Factory-set trip pressure		Switching differential (Hysteresis)		Tolerance band of trip pressure	Maximum positive working pressure standard/extended	Maximum negative working pressure standard/extended
	between	and	lower end of range	upper end of range			
901.2x	-5 mbar	-200 mbar	2.5 mbar	50 mbar	± 10 %	0.5 / 4 bar	- 1 bar
	-200 mbar	-900 mbar	50 mbar	150 mbar	± 10 %	1 / 4 bar	- 1 bar

### Differential pressure range

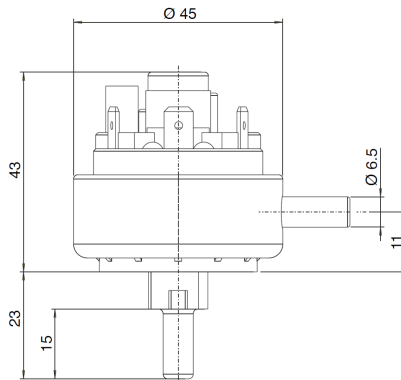
Type	Factory-set trip pressure		Switching differential (Hysteresis)		Tolerance band of trip pressure	Maximum positive working pressure standard/extended	Maximum negative working pressure
	between	and	lower end of range	upper end of range			
901.30	5 mbar	50 mbar	2.5 mbar	25 mbar	± 10 %	100 mbar	- 100 mbar

# Dimensional Drawings

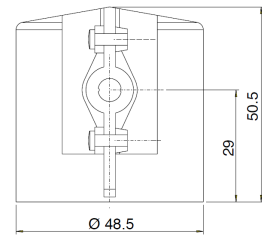
**901.10/20**



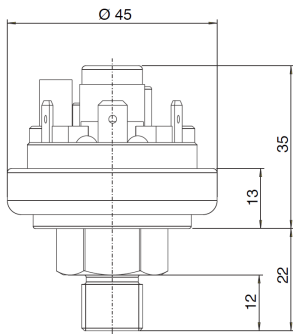
**901.30**



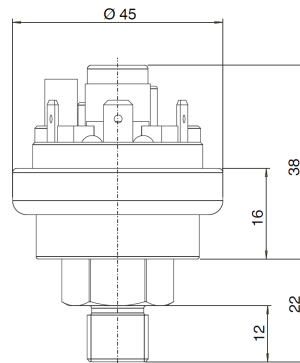
**Protection caps  
6329 IP44**



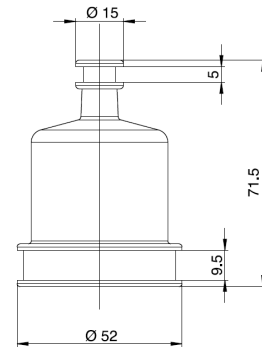
**901.11/21/41**



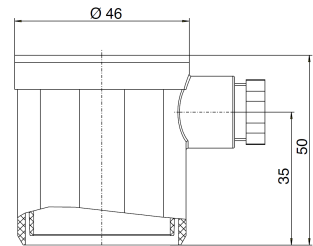
**901.51**



**6345 IP54**

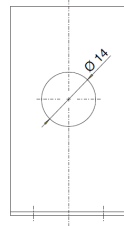


**6371 IP54 / 6372 IP65**

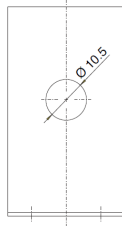


**Mounting brackets**

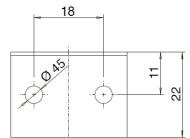
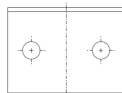
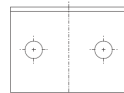
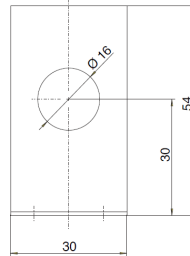
**6403**



**6404**



**6405**



**6374 IP54 / 6375 IP65**

